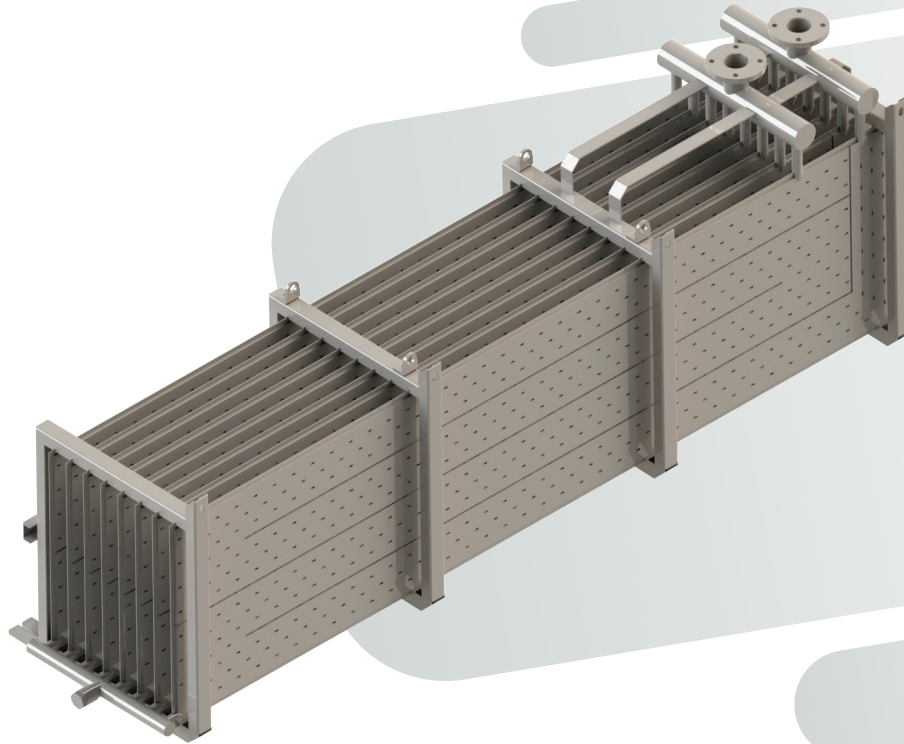




DAV·Pillow



About Pillow Family

DESCRIPTION

Pillow-plate heat exchangers [PPHE] represent an innovative type of heat exchangers. They consist of a stack of fully welded plate-type panels, which are characterized by "pillow-like" surface.

The waviness of the channels enhances mixing in the fluid boundary layers, which consequently increases the heat transfer. PPHE can be made of stainless steel, Ni-Cr alloy or titanium.

The PPHE is ideal with medium with an extreme fouling and sedimentation rate (such as oily, sticky, dusty, abrasive or full

of sediments fluids) where heat exchangers made with finned tubes or smooth tubes are not applicable. PPHE are therefore the best choice in applications such as heat recovery from extremely dirty fumes (incinerators) or abrasives (glass factories), or indirect heat exchange inside tanks for food & beverage processes.

The flat and smooth surface of plates can be cleaned easily and quickly with a steam jet or high pressure cleaners, resulting in low maintenance costs.



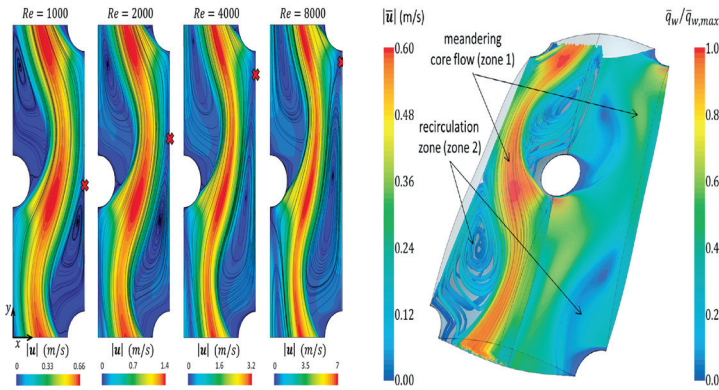
ADVANTAGES

- Large primary exchange surfaces
- Food grade materials
- Great medium flow between plates
- Perfect in case of dirty medium
- Space saving inside tanks
- Low maintenance cost

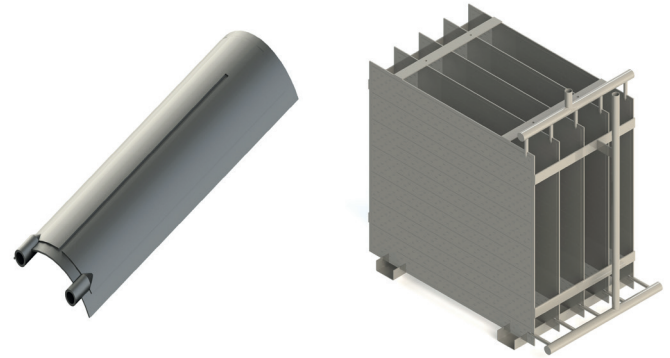




Efficiency



Versatility



1/ Customized shapes 2/ Array of plate

Materials

Plate Materials

- Carbon steel
- Inox Aisi 304
- Inox Aisi 316L
- Inox Aisi 316Ti
- Inox Aisi 321
- Inox Aisi 309
- Copper
- Titanium
- Aluminum
- Nichel Alloy

*other options available on request

Options

- **Connection types:**
threaded nozzle, flange, smooth tube for brazing on site.
- **Casing designs:**
without casing, side plates only, complete casing, air-tight casing, removable cartridge-type.
- **Casing materials:**
carbon steel, galvanized steel, stainless steel, aluminum.
- **Accessories:**
droplet separator, humidifier, washing and cleaning systems.

Applications

